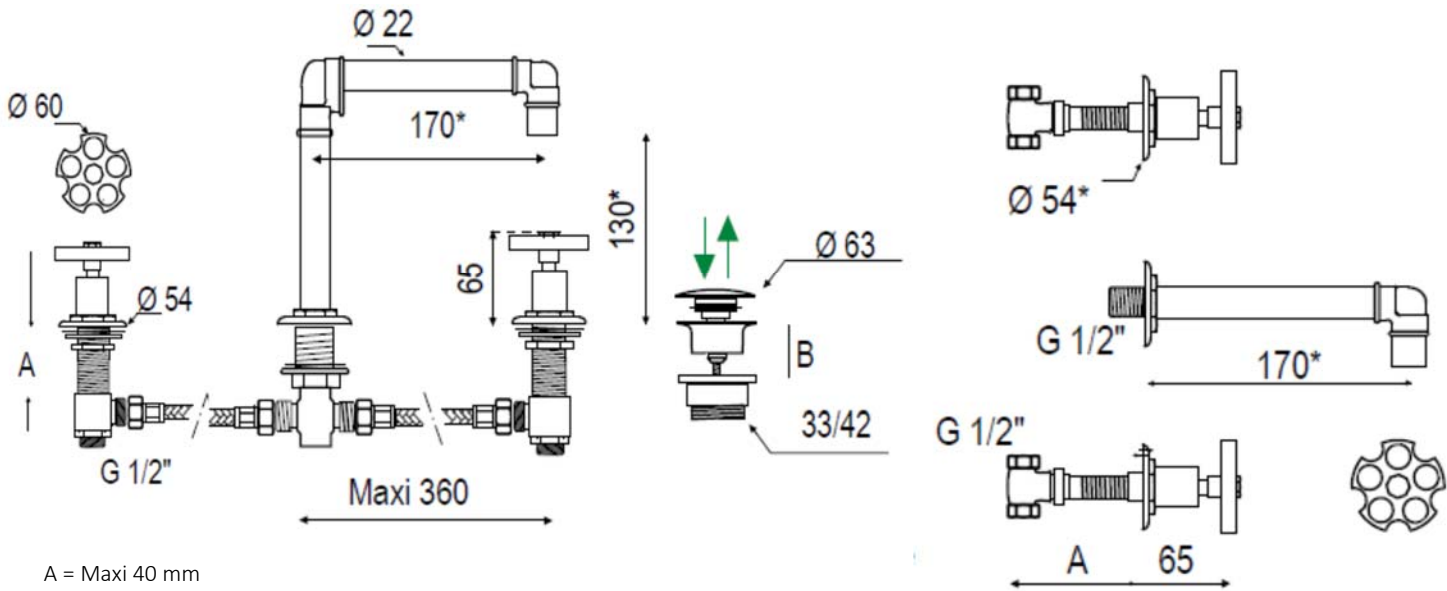


INDUSTRIAL – DECK / WALL MOUNT 3 HOLES FAUCET

082 33300 / 082 34300-xxx



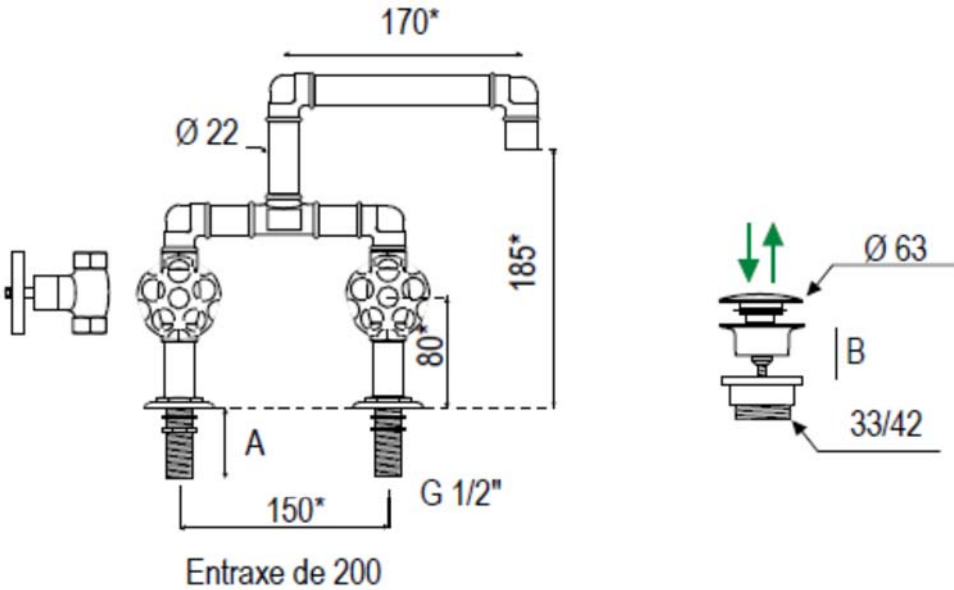
A = Maxi 40 mm
 B = Mini 1 mm - Maxi 65 mm
 (*) Sur mesure possible

| | | |
|----------------------------|-------------|---------------|
| Project Information | | |
| Job Name: _____ | Date: _____ | Finish: _____ |
| Comments: _____ | | |
| Approved: _____ | | |



INDUSTRIAL – DECK MOUNT 2 HOLES/ 3 HOLES FAUCET

082 33200-xxx



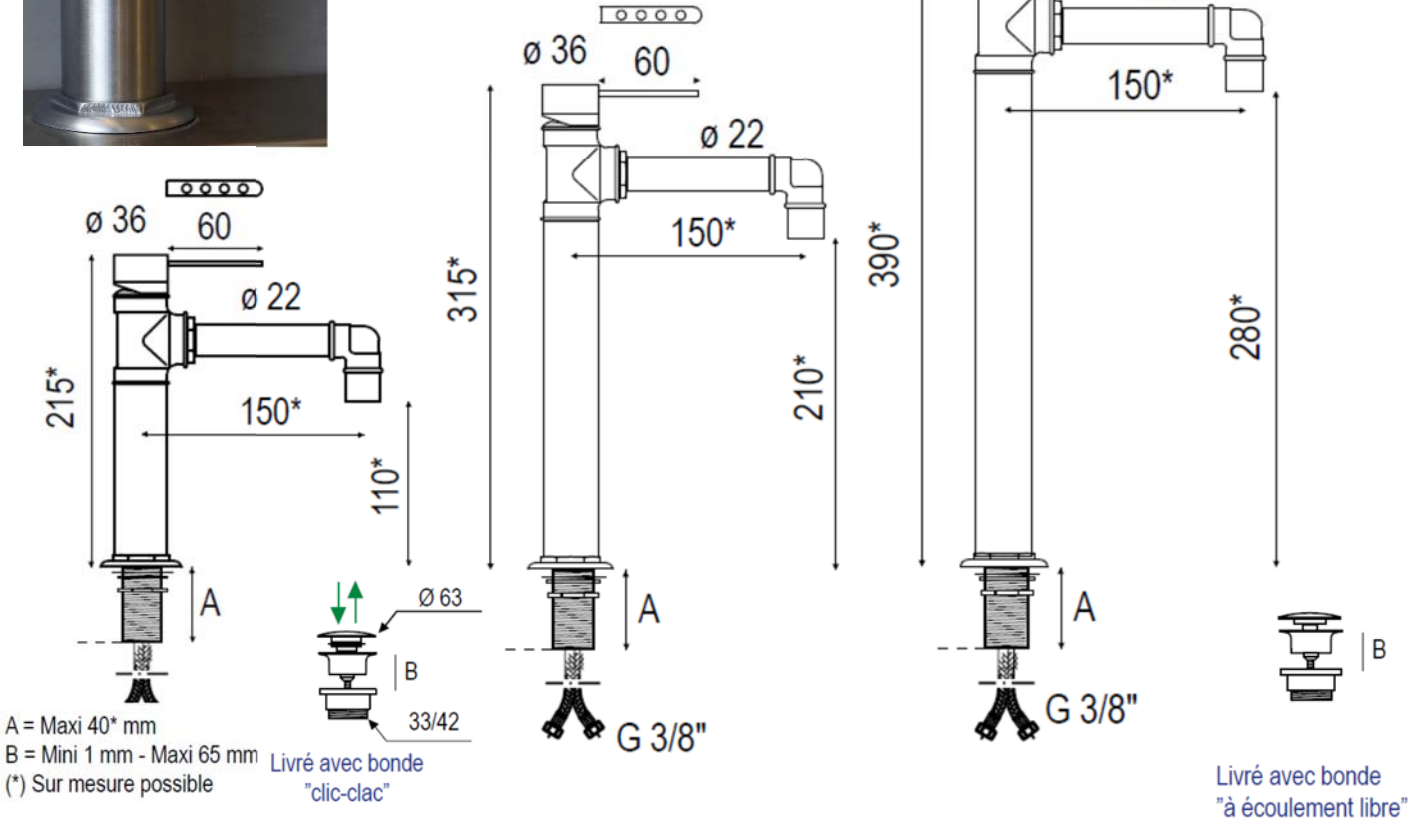
A = Maxi 40*mm
B = Mini 1 mm - Maxi 65 mm

Project Information
 Job Name: _____ Date: _____ Finish: _____
 Comments: _____
 Approved: _____



INDUSTRIAL – SINGLE HOLE MIXER

082 35100-xxx



| | | |
|---------------------|-------------|---------------|
| Project Information | | |
| Job Name: _____ | Date: _____ | Finish: _____ |
| Comments: _____ | | |
| Approved: _____ | | |