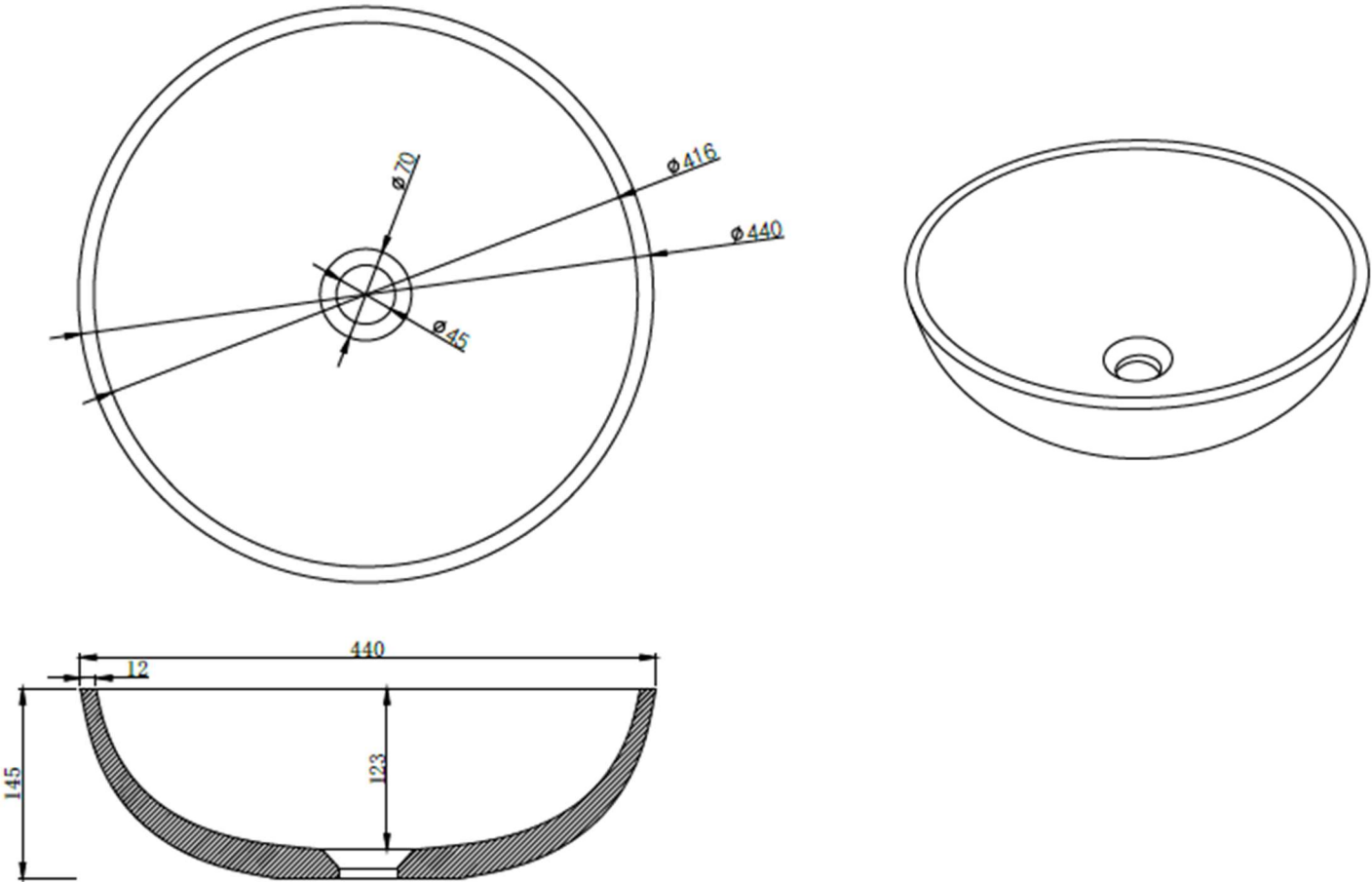




SOLIDREX PS IDE 290334-D1



CONCRETE ROUND WASHBASIN



SOLIDREX PS IDE 290334-D1

ROUND WASHBASIN
BEIGE COLORED CONCRETE

17 " x 17 " x 6 " - 19 LBS

GRID DRAIN W. CONCRETE COVER INCLUDED.
ANTI-SCRATCH FINISH.

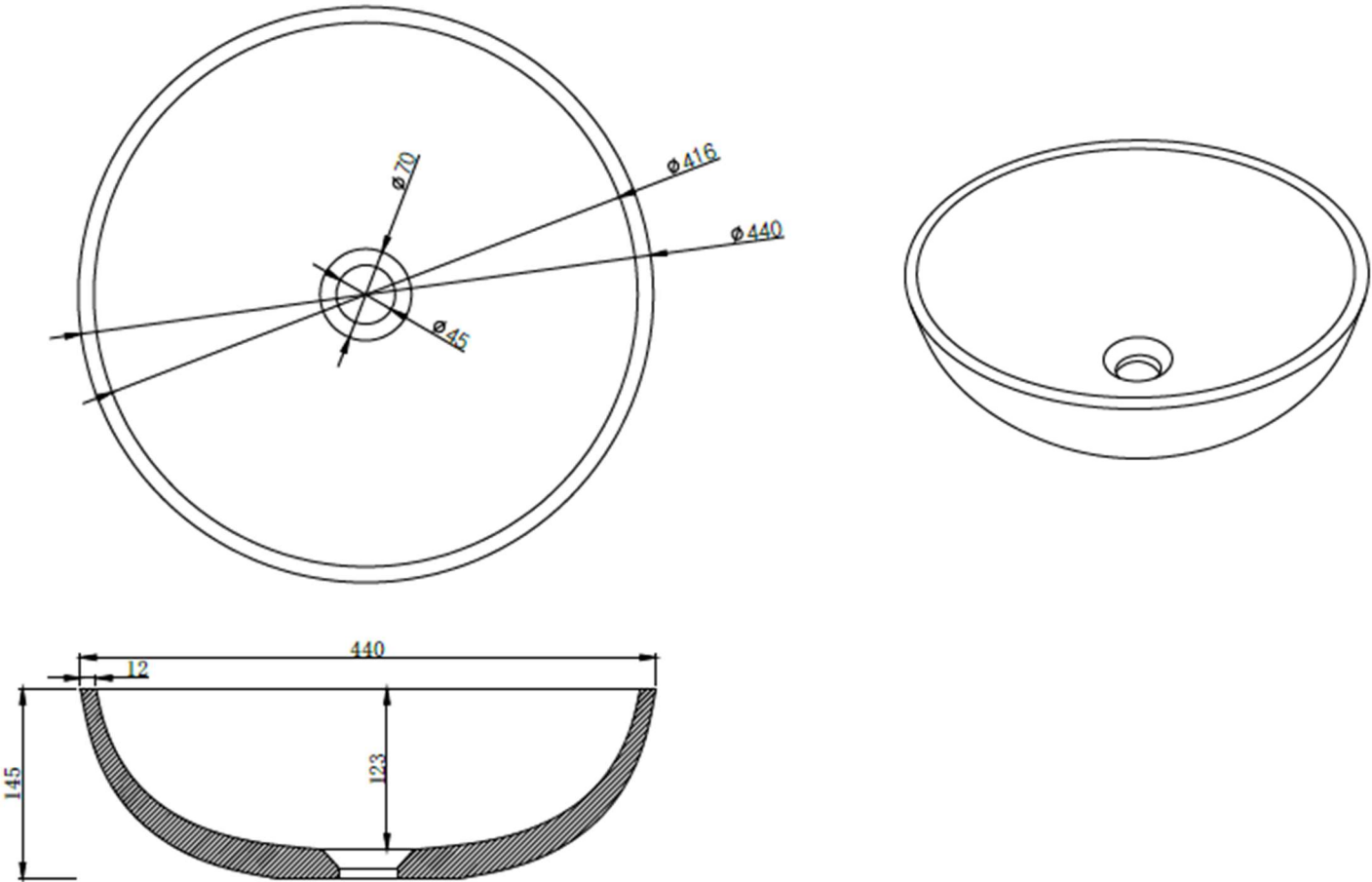


Project Information		
Job Name: _____	Date: _____	Type of hardware: _____
Comments: _____		
Approved: _____		



SOLIDREX PS IDE 290334-D5

CONCRETE ROUND WASHBASIN



SOLIDREX PS IDE 290334-D5

ROUND WASHBASIN
TAUPE COLORED CONCRETE

17 " x 17 " x 6 " - 19 LBS

GRID DRAIN W. CONCRETE COVER INCLUDED.
ANTI-SCRATCH FINISH.



Project Information		
Job Name: _____	Date: _____	Type of hardware: _____
Comments: _____		
Approved: _____		