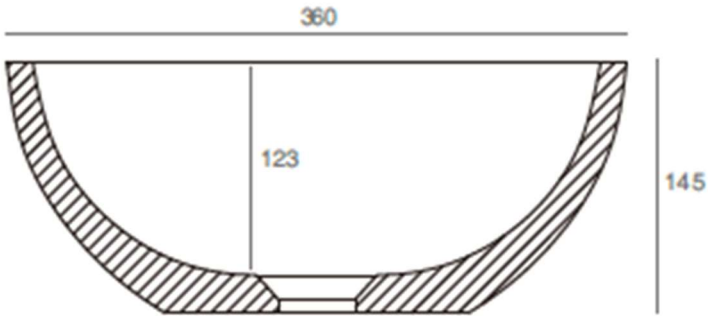
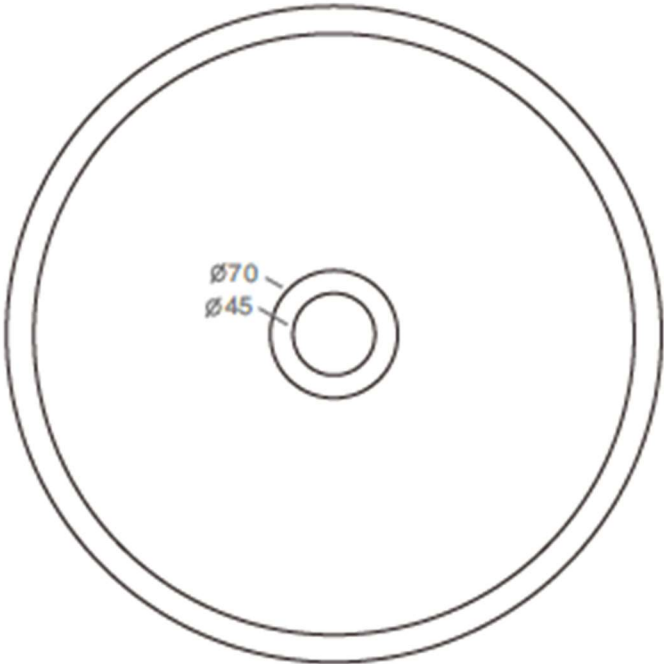




SOLIDGEM PS IDE 290333-D1



CONCRETE ROUND WASHBASIN



SOLIDGEM PS IDE 290333-D1

ROUND WASHBASIN
BEIGE COLORED CONCRETE

14 " x 14 " x 6 " - 14 LBS

GRID DRAIN W. CONCRETE COVER INCLUDED.
ANTI-SCRATCH FINISH.



Project Information

Job Name: _____ Date: _____ Type of hardware: _____

Comments: _____

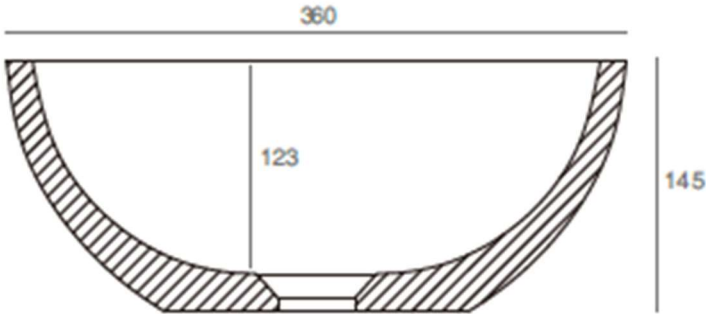
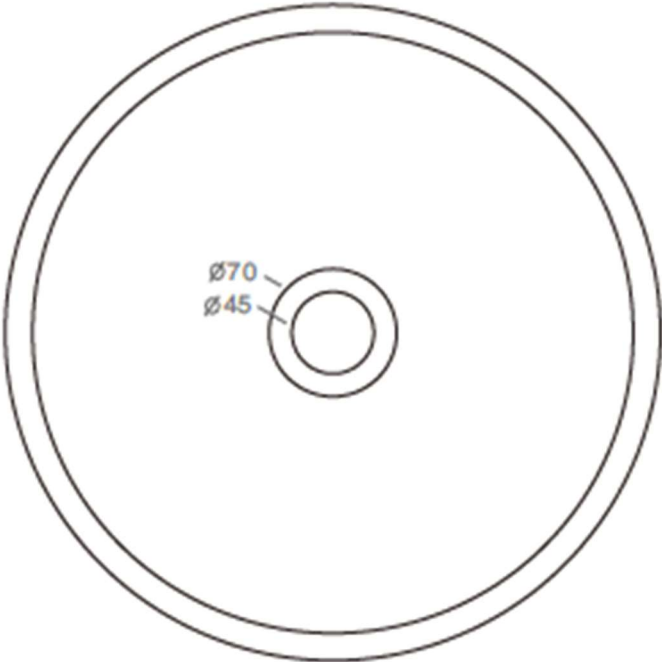
Approved: _____



SOLIDGEM PS IDE 290333-D5



CONCRETE ROUND WASHBASIN



SOLIDGEM PS IDE 290333-D5

ROUND WASHBASIN
TAUPE COLORED CONCRETE

14 " x 14 " x 6 " - 14 LBS

GRID DRAIN W. CONCRETE COVER INCLUDED.
ANTI-SCRATCH FINISH.



Project Information

Job Name: _____ Date: _____ Type of hardware: _____

Comments: _____

Approved: _____