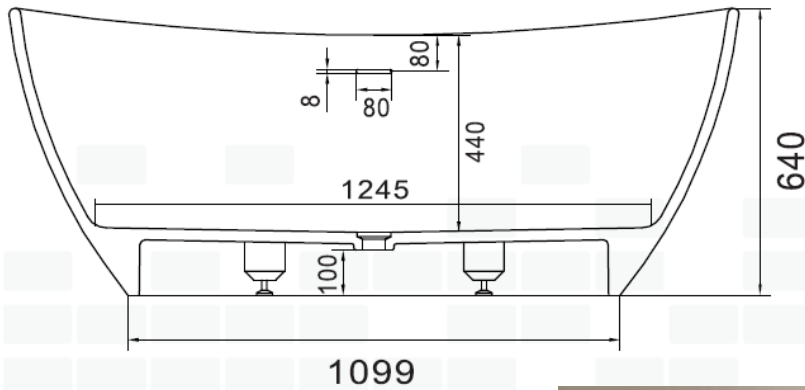
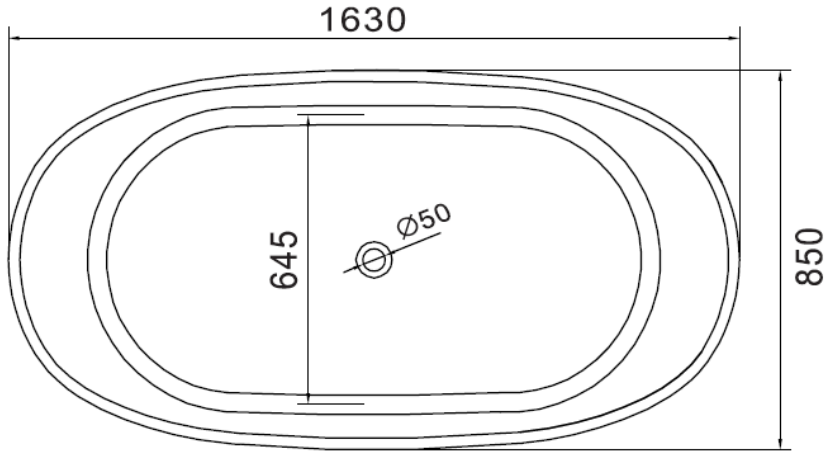




SOLIDSEAL PS IDV 278614  
SOLID SURFACE ELONGATED BATHTUB



SOLIDSEAL MATTE WHITE PS IDV 278614  
64" x 33" x 25" / 163 x 85 x 64cm  
EDGE THICKNESS: 1"  
WEIGHT 330 LBS / 150 KGS - WATER CAPACITY 76 G. / 290 L  
OVER FLOW HOLE / MATTE WHITE TRIM ON POP-UP / P-TRAP &  
DRAIN INCLUDED.  
W. ADJUSTABLE FEET.

Project Information  
Job Name: \_\_\_\_\_ Date: \_\_\_\_\_ Type of hardware: \_\_\_\_\_  
Comments: \_\_\_\_\_  
Approved: \_\_\_\_\_