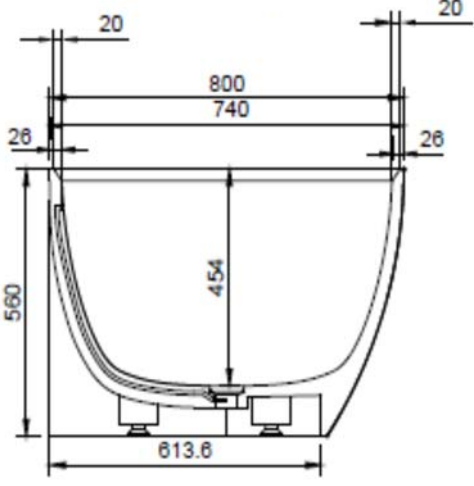
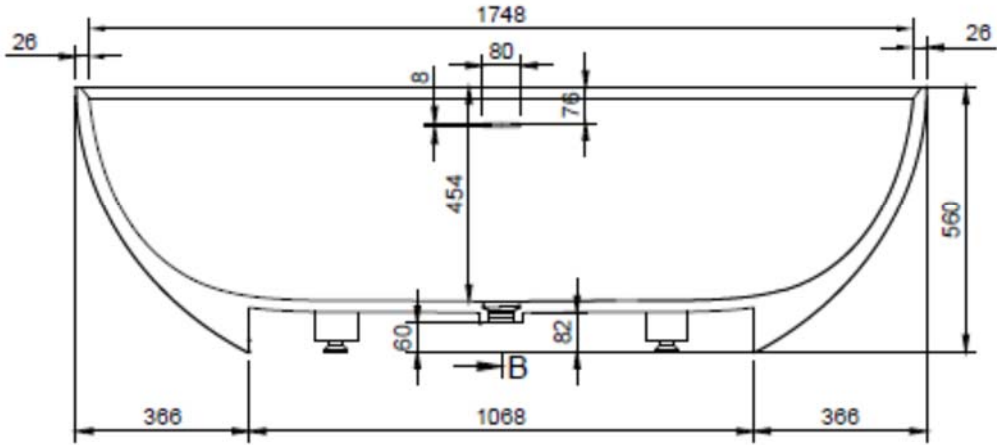
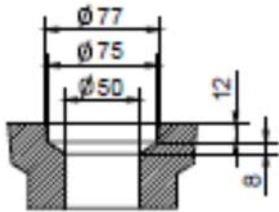
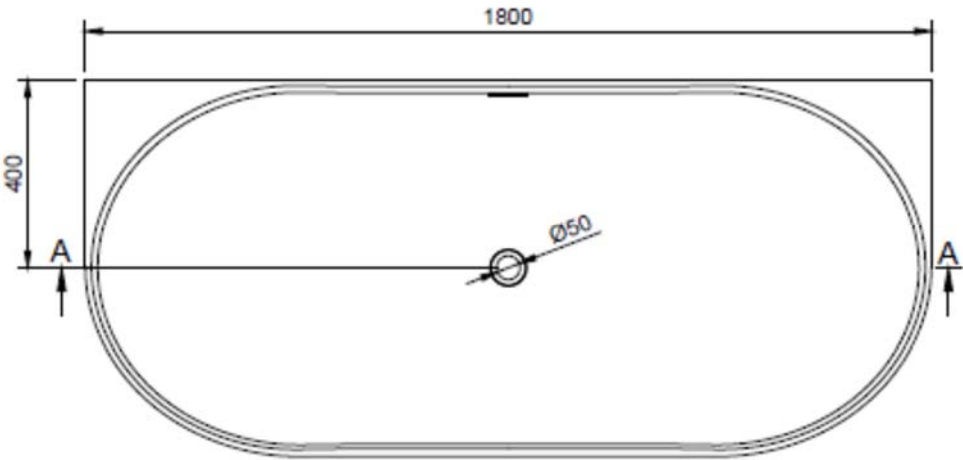




SOLIDNOVA PS IDV 290352

SOLID SURFACE ELONGATED BATHTUB



SOLIDNOVA MATTE WHITE PS IDV 290352
71" x 32" x 22" - 1" EDGE W. 3/4" INSIDE RADIUS.
NET WEIGHT 400 LBS - WATER CAPACITY 106 G.
OVER FLOW HOLE / MATTE WHITE TRIM ON POP-UP / P-TRAP &
DRAIN INCLUDED.
W. ADJUSTABLE FEET.



Project Information
Job Name: _____ Date: _____ Type of hardware: _____
Comments: _____
Approved: _____